

# Which Machine? Which thread?

Assignment of machines of the ProfiPLUS class and the possible thread diameter to the size of the basic quick-change drill chucks and inserts.

## THREAD CUTTING SYSTEMS

### GSW Quick-change drill chucks:

In the versions MK 2, MK 3, MK 4. For taking up quick-change inserts GSE or GSS.

GSW 222 Size 2 MK 2

GSW 331 Size 1 MK 3

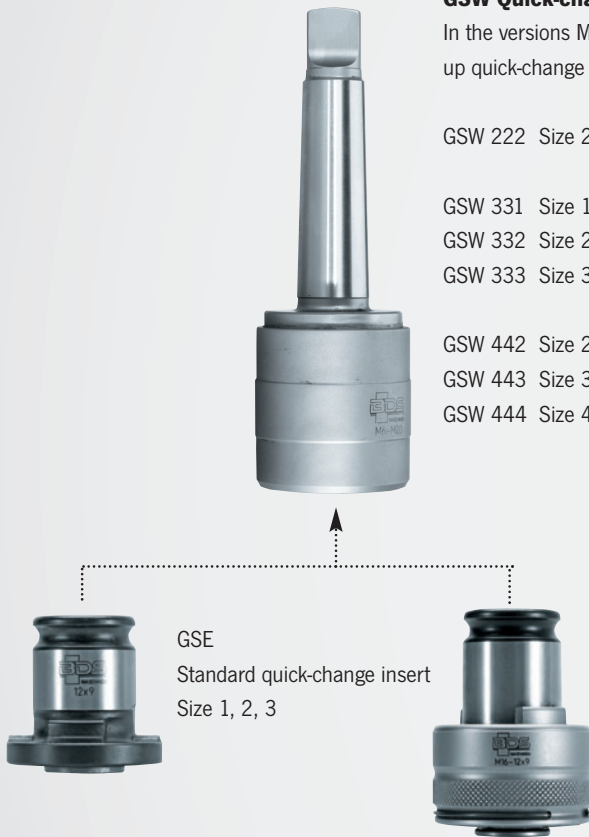
GSW 332 Size 2 MK 3

GSW 333 Size 3 MK 3

GSW 442 Size 2 MK 4

GSW 443 Size 3 MK 4

GSW 444 Size 4 MK 4



GSE  
Standard quick-change insert  
Size 1, 2, 3

GSS  
GSS Quick-change insert  
with safety friction clutch  
Size 2, 3, 4

## OVERVIEW

### ORDER NO.

GSW 222 Quick-change drill chuck

GSW 331 Quick-change drill chuck

GSW 332 Quick-change drill chuck

GSW 333 Quick-change drill chuck

GSW 442 Quick-change drill chuck

GSW 443 Quick-change drill chuck

GSW 444 Quick-change drill chuck

GSE 103 – GSE 114 each

GSE 205 – GSE 222 each

GSE 314 – GSE 330 each

GSS 205 – GSS 222 each

GSS 312 – GSS 330 each

GSS 420 – GSS 442 each

GSE 100 Set of quick-change inserts size 1, M3 – M14

GSE 200 Set of quick-change inserts size 2, M5 – M24

GSE 300 Set of quick-change inserts size 3, M14 – M30

## Tap adapters – getting started economically

By means of the adapter, the taps are taken up directly into the 19 mm or 32 mm Weldon system. Suitable for through-hole threads only!



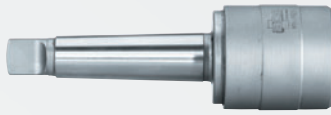
### TAP ADAPTER WITH WELDON SHANK

ORDER NO.	THREAD	SHANK Ø	SQUARE
ZGA 010	M10 DIN 376	7	5.5
ZGA 012	M12 DIN 376	9	7
ZGA 014	M14 DIN 376	11	9
ZGA 016	M16 DIN 376	12	9
ZGA 018	M18 DIN 376	14	11
ZGA 020	M20 DIN 376	16	12
ZGA 022	M22 DIN 376	18	14.5
ZGA 024	M24 DIN 376	18	14.5
ZGA 027	M27 DIN 376	20	16
ZGA 030	M30 DIN 376	22	18

up to ZGA 020 with 19 mm Weldon shank ( $\frac{3}{4}$ "

from ZGA 022 with 32 mm Weldon shank ( $1\frac{1}{4}$ "

## THREAD CUTTING SYSTEMS



Quick-change drill chucks GSW

Quick-change inserts  
Standard GSE

Quick-change inserts  
with safety friction  
clutch GSS

MAB 1300	MAB 825 MAB 845	MAB 525	MAB 485	Order No.	Quick-change drill chuck	Thread	Order No.	ø x square	Order No.	ø x square
				GSW 222	Size 2 MK 2	M5/M6	GSE 205	6 / 4.9	GSS 205	6 / 4.9
						M8/M10	GSE 208	8 / 6.2	GSS 208	8 / 6.2
						M10	GSE 210	10 / 8.0	GSS 210	7 / 5.5
						M12	GSE 212	9 / 7.0	GSS 212	9 / 7.0
						M14	GSE 214	11 / 9.0	GSS 214	11 / 9.0
						M16	GSE 216	12 / 9.0	GSS 216	12 / 9.0
				GSW 331	Size 1 MK 3	M3	GSE 103	3.5 / 2.7		
						M4	GSE 104	4.5 / 3.4		
						M5/M6	GSE 105	6 / 4.9		
						M8	GSE 108	8 / 6.2		
						M10	GSE 110	10 / 8.0		
						M12	GSE 112	9 / 7.0		
						M14	GSE 114	11 / 9.0		
				GSW 332	Size 2 MK 3	M5/M6	GSE 205	6 / 4.9	GSS 205	6 / 4.9
						M8	GSE 208	8 / 6.2	GSS 208	8 / 6.2
						M10	GSE 210	10 / 8	GSS 210	7 / 5.5
						M12	GSE 212	9 / 7.0	GSS 212	9 / 7.0
						M14	GSE 214	11 / 9	GSS 214	11 / 9
						M16	GSE 216	12 / 9	GSS 216	12 / 9
						M18	GSE 218	14 / 11	GSS 218	14 / 11
						M20	GSE 220	16 / 12	GSS 220	16 / 12
					*not suitable for MAB 525	M22/M24*	GSE 222	18 / 14.5	GSS 222	18 / 14.5
				GSW 333	Size 3 MK 3	M12			GSS 312	9 / 7.0
						M14	GSE 314	11 / 9	GSS 314	11 / 9
						M16	GSE 316	12 / 9	GSS 316	12 / 9
						M18	GSE 318	14 / 11	GSS 318	14 / 11
						M20	GSE 320	16 / 12	GSS 320	16 / 12
						M22/M24	GSE 322	18 / 14.5	GSS 322	18 / 14.5
						M27	GSE 327	20 / 16	GSS 327	20 / 16
						M30	GSE 330	22 / 18	GSS 330	22 / 18
				GSW 442	Size 2 MK 4	M5/M6	GSE 205	6 / 4.9	GSS 205	6 / 4.9
						M8	GSE 208	8 / 6.2	GSS 208	8 / 6.2
						M10	GSE 210	10 / 8.0	GSS 210	7 / 5.5
						M12	GSE 212	9 / 7.0	GSS 212	9 / 7.0
						M14	GSE 214	11 / 9	GSS 214	11 / 9
						M16	GSE 216	12 / 9	GSS 216	12 / 9
						M18	GSE 218	14 / 11	GSS 218	14 / 11
						M20	GSE 220	16 / 12	GSS 220	16 / 12
						M22/24	GSE 222	18 / 14.5	GSS 222	18 / 14.5
				GSW 433	Size 3 MK 4	M12			GSS 312	9 / 7.0
						M14	GSE 314	11 / 9	GSS 314	11 / 9
						M16	GSE 316	12 / 9	GSS 316	12 / 9
						M18	GSE 318	14 / 11	GSS 318	14 / 11
						M20	GSE 320	16 / 12	GSS 320	16 / 12
						M22/24	GSE 322	18 / 14.5	GSS 322	18 / 14.5
						M27	GSE 327	20 / 16	GSS 327	20 / 16
						M30	GSE 330	22 / 18	GSS 330	22 / 18
				GSW 444	Size 4 MK 4	M20			GSS 420	16 / 12
						M22/24			GSS 422	18 / 14.5
						M27			GSS 427	20 / 16
						M30			GSS 430	22 / 18
						M33			GSS 433	25 / 20
						M36			GSS 436	28 / 22
						M39/42			GSS 442	32 / 24